

Application

Model FD-150 is approved for use in walls and partitions with fire resistance ratings less than 3 hours. This model carries a 1½ hour UL fire damper label. UL 555 classifies static rated fire dampers for use in HVAC systems that are automatically shut down in the event of fire.

Ratings

UL555S Fire Resistance Rating

Fire Rating: 1½ hours

Construction	Standard	Optional
Frame Material	Galvanized Steel*	-
Frame Depth	3 11/16 in. (94mm)	-
Blade Material	Galvanized steel*	-
Closure Spring	Stainless Steel	-
Fusible Link	165°F (74°C)	212°F (100°C)
Mounting	Vertical	Horizontal

* in gauges required by UL listing R-13317

Model FD-150 meets the requirements for fire dampers established by:

National Fire Protection Association

NFPA Standards 80, 90, & 101

International Building Code (IBC)

New York City (MEA listing #260-91-M)

California State Fire Marshall (CFSM)

Listing #3225-981:105 for use in walls

“UL Classified (see complete marking on product)”

“UL Classified to Canadian Safety Standards (see complete marking on product)”

Standard 555 (Listing #R13317)



Options

- POC retaining angles
- Transitions (A, B)

Installation

All fire damper installations require the use of sleeves, angle, and methods described in Greenheck Fire Damper Installation Instructions (Document 452763). Installation instructions are included with every damper shipment.

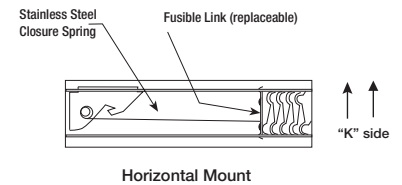
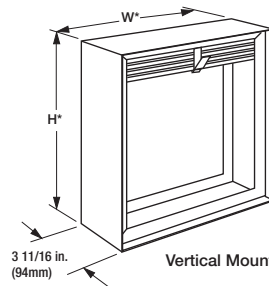
Sleeves can be field fabricated or factory furnished as a complete damper/sleeve assembly. Factory sleeve option details listed below.

Factory Sleeve Option

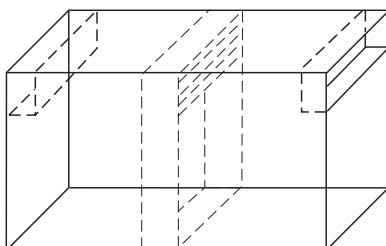
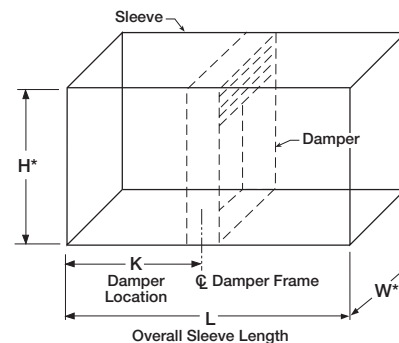
FD-150 fire dampers are available in factory furnished sleeves. Sleeves are galvanized steel and are available in 20 ga. (1mm) thicknesses and lengths up to 19.6 in. (500mm).

“K” dimension specifies location of damper within the sleeve. Minimum is 4 in. (102mm), maximum is sleeve length (L) minus 4 in. (102mm). This allows room for mounting angle installation and duct connection at each end of sleeve. If “K” dimension is not specific, it will be provided as one half of sleeve length “L” (damper centered in sleeve).

Note: If using access doors, the door should be installed on the “K” side of the damper.



* These dimension are furnished approximately 1/4 in. (6mm) undersize.



Type B with sleeve

FD-150 Type A

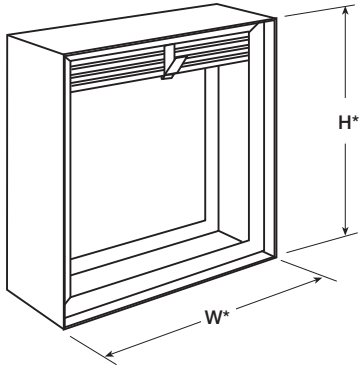
Dampers larger than maximum single section size are supplied in two or more sections of equal size. If ordered with a factory sleeve, multi-section dampers are factory assembled ready for installation. If ordered without a factory sleeve, multi-section dampers require field assembly (see Greenheck Fire Damper Installation Instructions # 452763).

The following chart show minimum and maximum damper sizes. Dimensions are in inches (mm in parentheses).

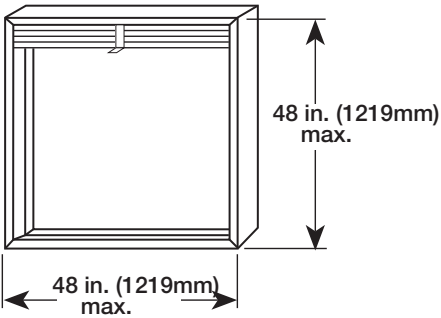
Size Limitations

Inches (mm)	Type A		Type B	
	Minimum	Maximum	Minimum	Maximum
Single Section Vertical	4 x 4 (102 x 102)	48 x 48 (1219 x 1219)	4 x 3 (102 x 76)	48 x 42 (1219 x 1067)
Multi Section Vertical*	NA	96 x 48, 74 x 74 or 120 x 40 (2438 x 1219, 1880 x 1880 or 3048 x 1016)	NA	96 x 42, 74 x 69 or 120 x 35 (2438 x 1067, 1880 x 1753 or 2048 x 889)
Single Section Horizontal	4 x 4 (102 x 102)	48 x 48 (1219 x 1219)	4 x 3 (102 x 76)	48 x 42 (1219 x 1067)
Multi Section Horizontal*	NA	96 x 48 or 120 x 40 (2438 x 1219 or 3048 x 1016)	NA	96 x 42 or 120 x 35 (2438 x 1067 or 3048 x 889)

*Consult factory for number of sections.

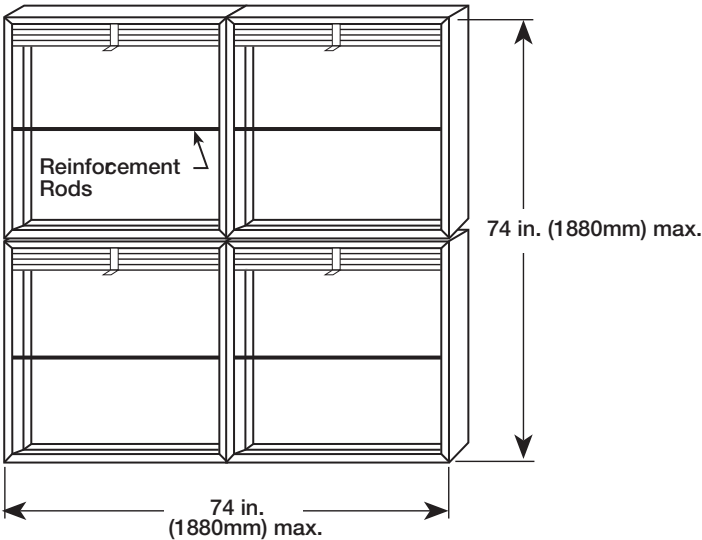


① Maximum Single Section Dimensions



② Multi-Section Limitations

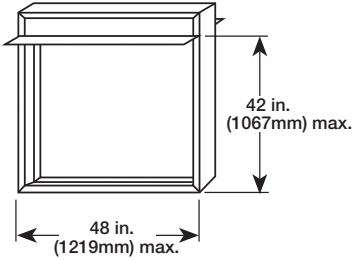
Maximum height is 74 in. (1880mm) when width is less than or equal to 74 in. (1880mm). (Vertical mullion provided on dampers over 37 in. (940mm) wide and 48 in. (1219mm) high.



FD-150 Type B

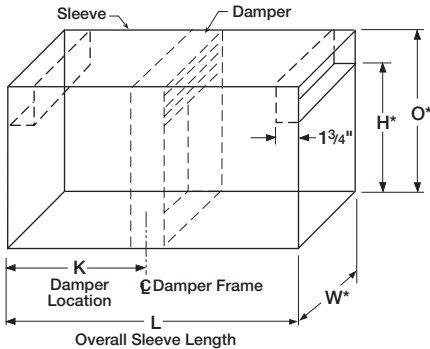
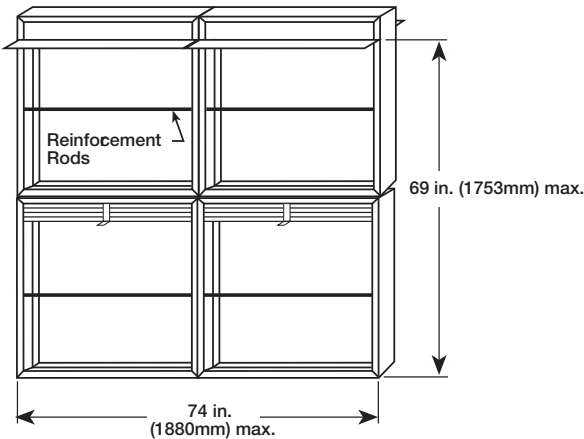
Dampers larger than maximum single section size are supplied in two or more sections of equal size. If ordered with a factory sleeve, multi-section dampers are factory assembled ready for installation. If ordered without a factory sleeve, multi-section dampers require field assembly (see Greenheck Fire Damper Installation Instructions # 452763).

① Maximum Single Section Dimensions

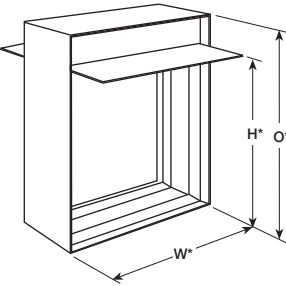


② Multi-Section Limitations

Maximum height is 69 in. (1753mm) when width is less than or equal to 74 in. (1880mm). (Vertical mullion provided on dampers over 37 in. (940mm) wide and 43 in. (1092mm) high).



Type B side view



Type B

H*	O*
3 (76)	5 (127)
4 (102)	6 (152)
5 (127)	7 (178)
6 (152)	8 (203)
7 (178)	9 (229)
8 (203)	10 (254)
9 (229)	11 (279)
10 (254)	12 (305)
11 (279)	13 (330)
12 (305)	14 (356)
13 (330)	15 (381)
14 (356)	16 (406)
15 (381)	18 (457)
16 (406)	19 (483)
17 (432)	20 (508)
18 (457)	21 (533)
19 (483)	22 (559)
20 (508)	23 (584)
21 (533)	24 (610)
22 (559)	26 (660)
23 (584)	27 (686)
24 (610)	28 (711)
25 (635)	29 (737)
26 (660)	30 (762)
27 (686)	31 (787)
28 (711)	32 (813)
29 (737)	33 (838)
30 (762)	34 (864)
31 (787)	36 (914)
32 (813)	37 (940)
33 (838)	38 (965)
34 (864)	39 (991)
35 (889)	40 (1016)
36 (914)	41 (1041)

H*	O*
37 (940)	42 (1067)
38 (965)	44 (1118)
39 (991)	45 (1143)
40 (1016)	46 (1168)
41 (1041)	47 (1194)
42 (1067)	48 (1219)
43 (1092)	49 (1245)
44 (1118)	49 (1245)
45 (1143)	49 (1245)
46 (1168)	50 (1270)
47 (1194)	51 (1295)
48 (1219)	52 (1321)
49 (1245)	53 (1346)
50 (1270)	54 (1372)
51 (1295)	55 (1397)
52 (1321)	56 (1422)
53 (1346)	57 (1448)
54 (1372)	58 (1473)
55 (1397)	59 (1499)
56 (1422)	60 (1524)
57 (1448)	61 (1549)
58 (1473)	62 (1575)
59 (1499)	63 (1600)
60 (1524)	64 (1626)
61 (1549)	65 (1651)
62 (1575)	66 (1676)
63 (1600)	67 (1702)
64 (1626)	68 (1727)
65 (1651)	70 (1778)
66 (1676)	71 (1803)
67 (1702)	72 (1829)
68 (1727)	73 (1854)
69 (1753)	74 (1880)

All multiple section dampers with B transitions, will include a factory installed sleeve.

* Dimension in inches (mm). These dimensions are furnished 1/4 in. (6mm) undersize. (All 'H' dimensions larger than 43 in. (1092mm) are two sections high. The bottom section is a Type A and the top section is a Type B.)

Model FD-150



Greenheck India: 541/542, 5th Floor, Tower-B3 Spaze • Tech Park Sector-49, Sohna Road, Gurgaon • www.greenheck.co.in
Tel: 124-4272494 • Fax: 011-91-124-4711263